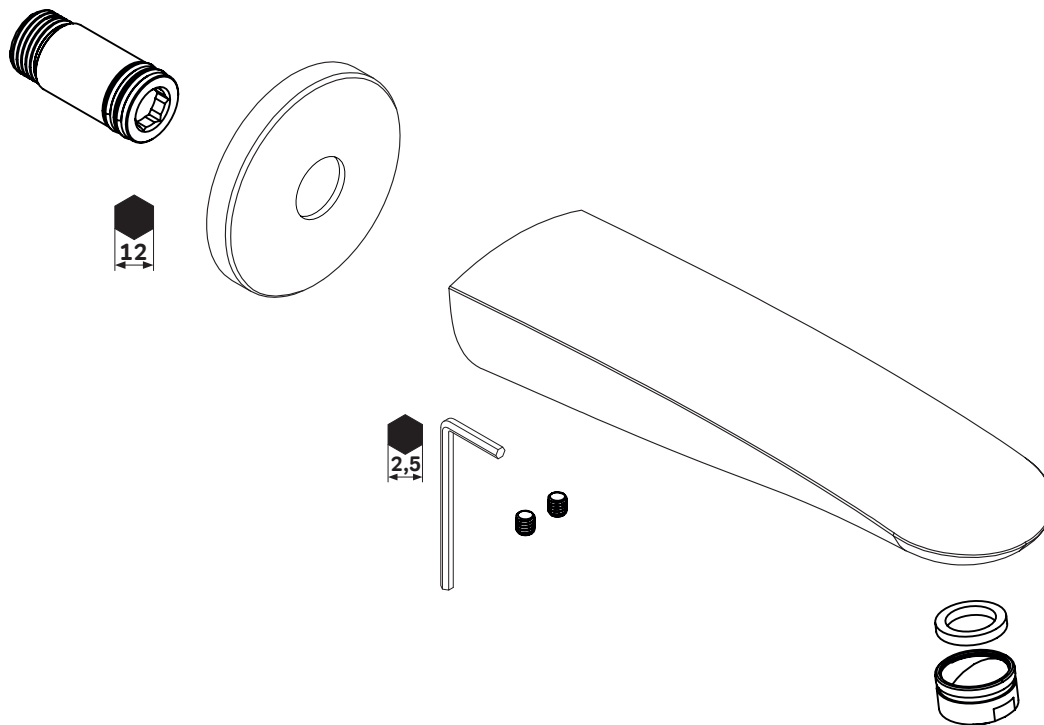
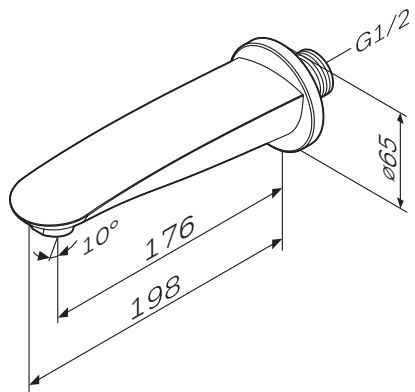






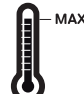
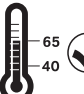
# AM.PM

Like

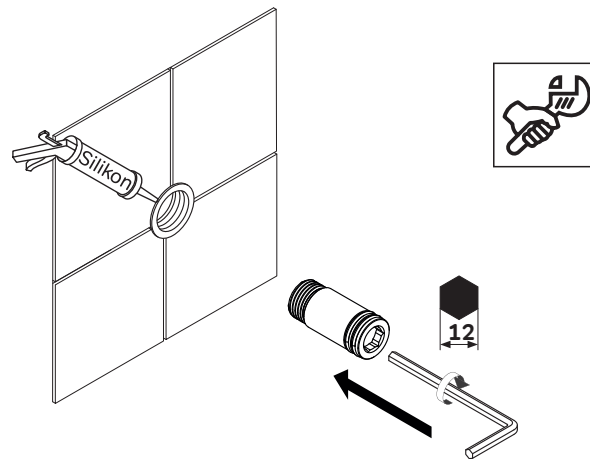
F8070000



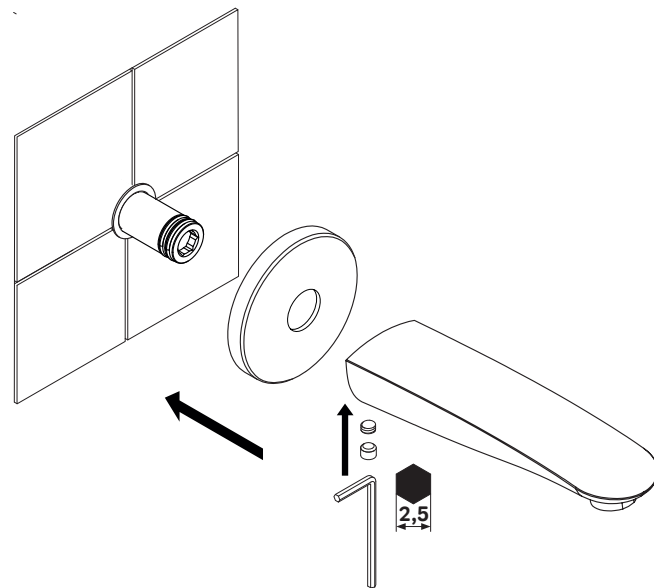


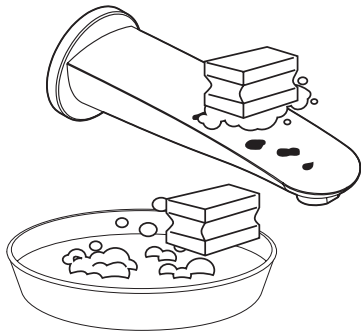
DIN EN 1717			
 P	bar	 MAX. 10	 5 ✓
 T	°C	 MAX. 80	 65 40 ✓

1

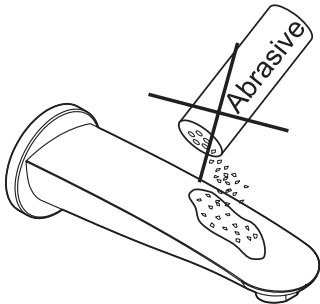
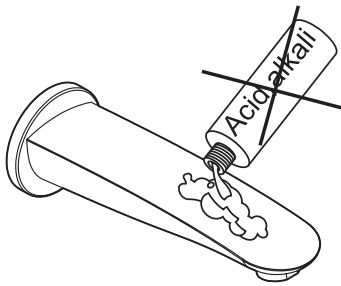


2





soap+H<sub>2</sub>O



AM·PM

AM.PM AG Torstrasse 177 D-10115 Berlin  
WWW.AMPM-WORLD.COM