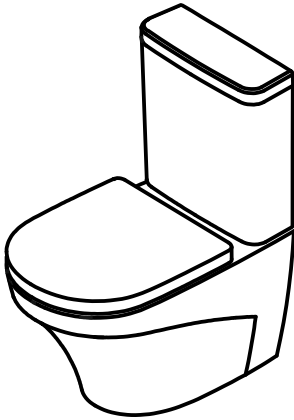
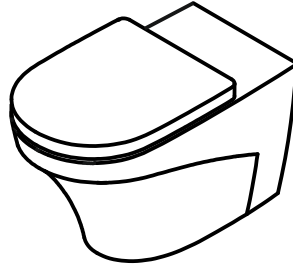


AM·PM

Inspire



C508607WH



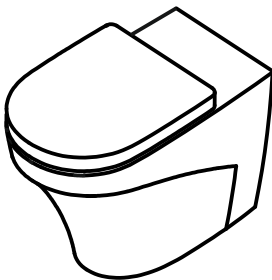
C501738WH



C503111WH

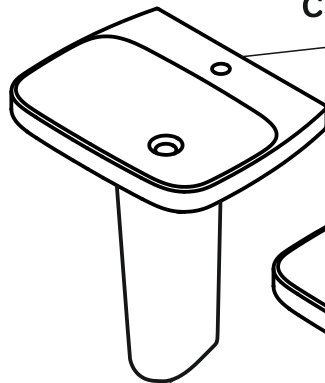


C503411WH

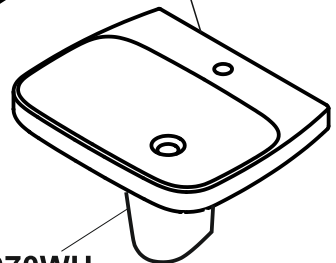


C501438WH

C504221WH
C504321WH

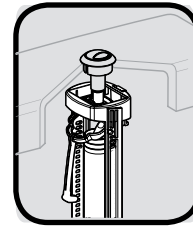
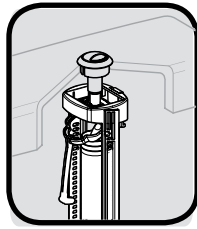


C504910WH

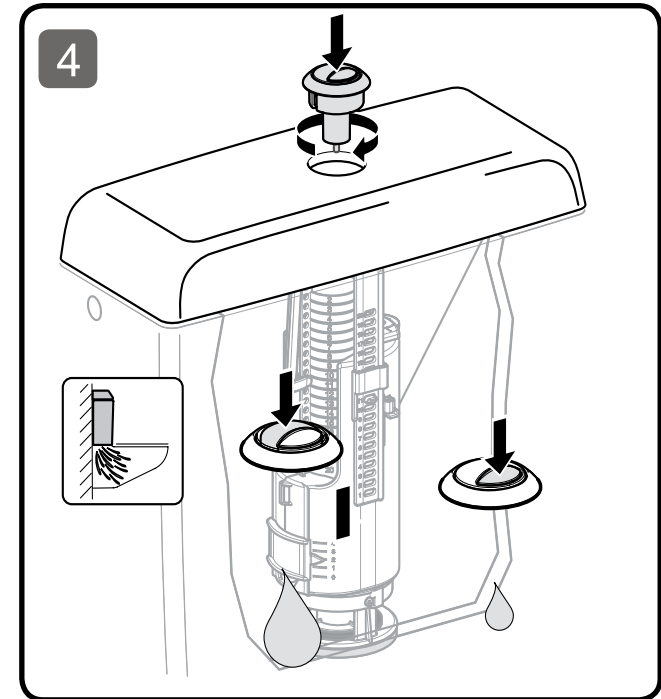
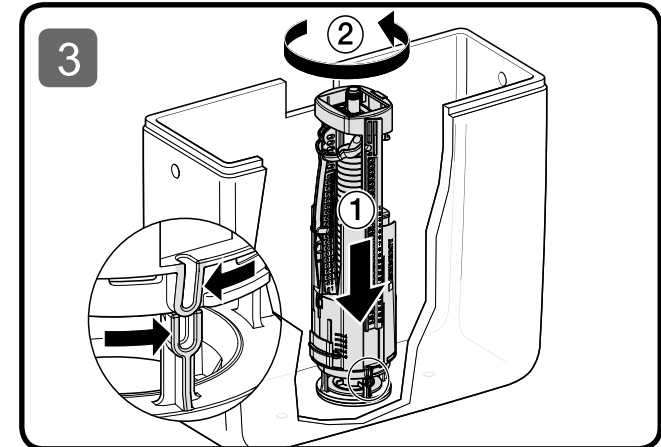
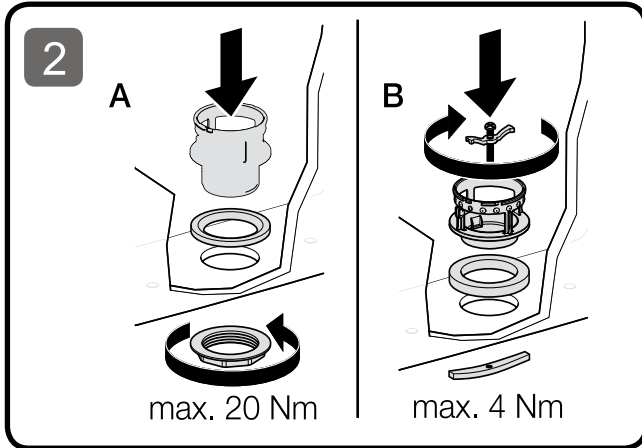
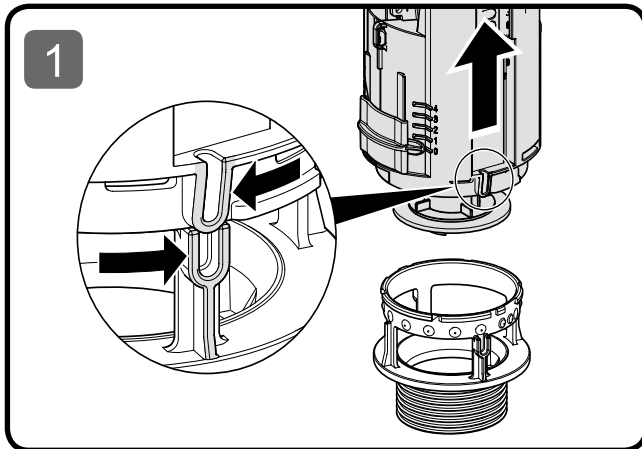


C504970WH

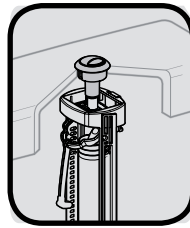
Installation



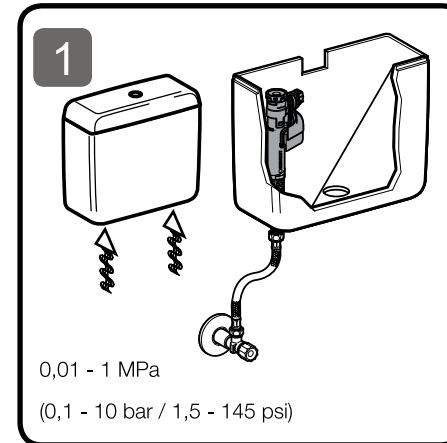
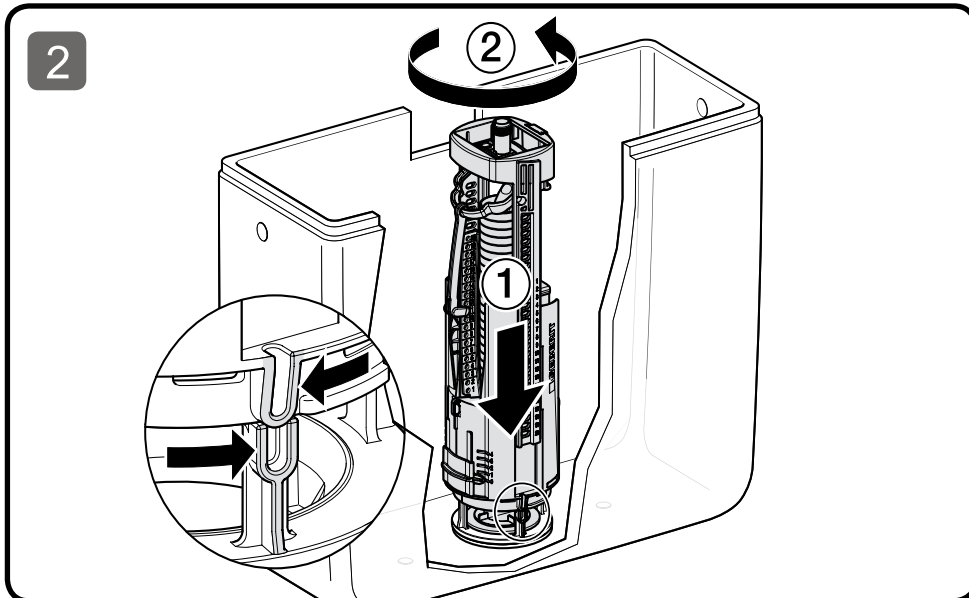
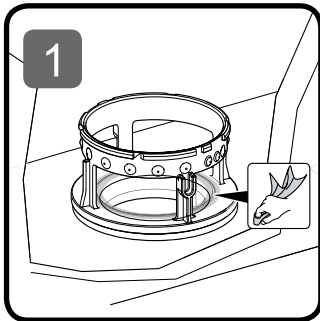
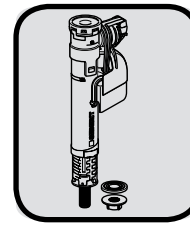
Installation



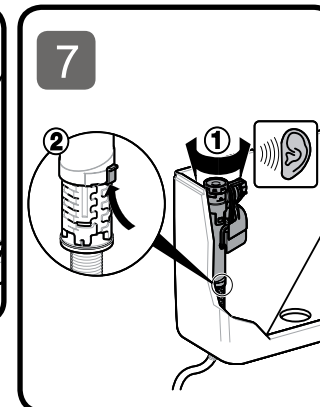
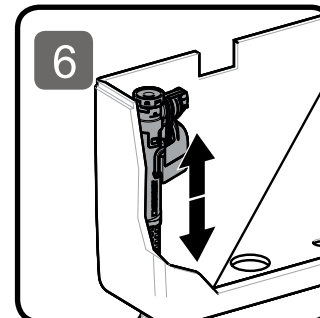
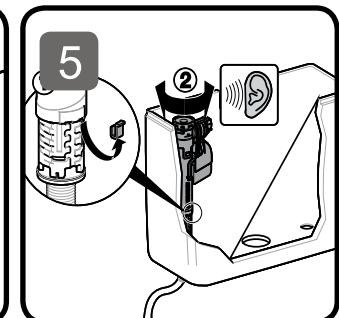
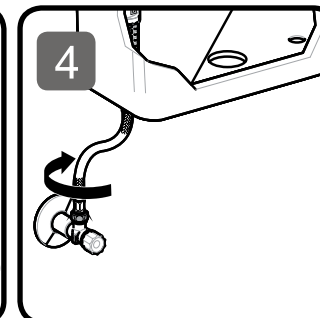
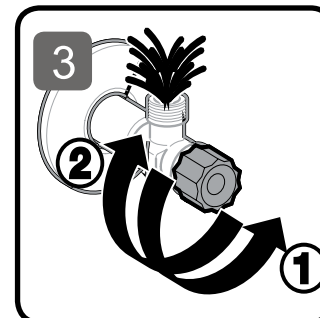
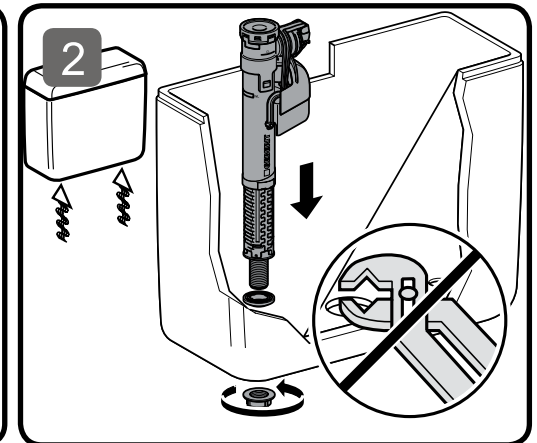
Service



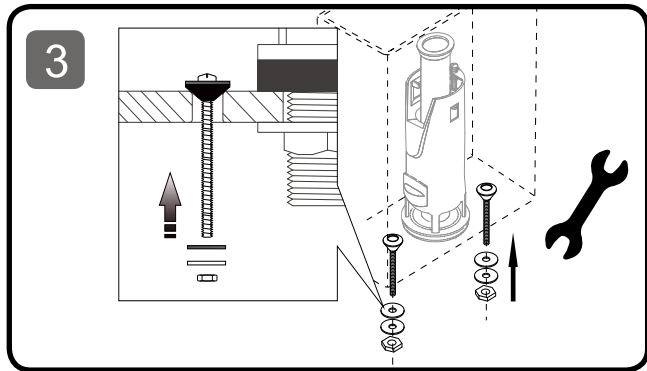
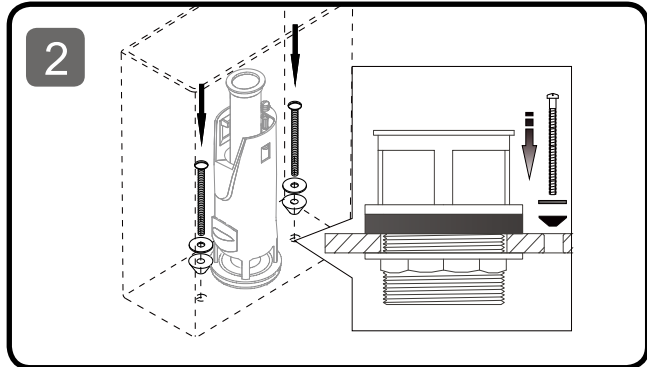
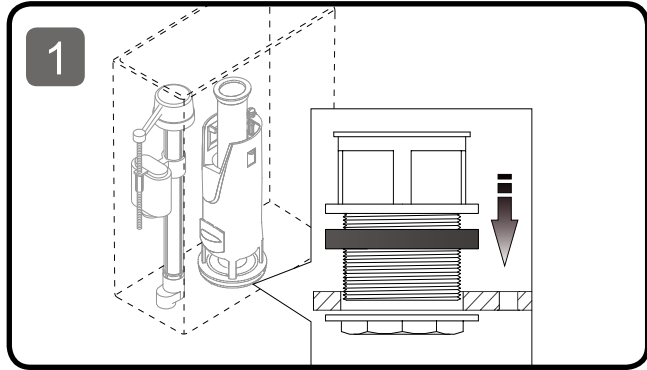
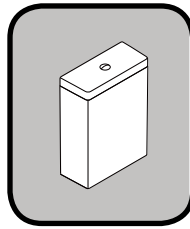
Installation



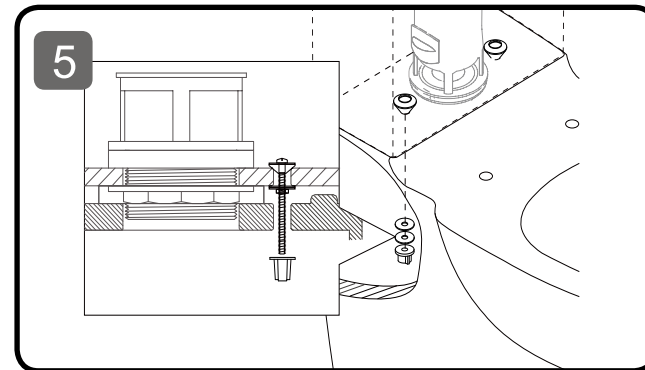
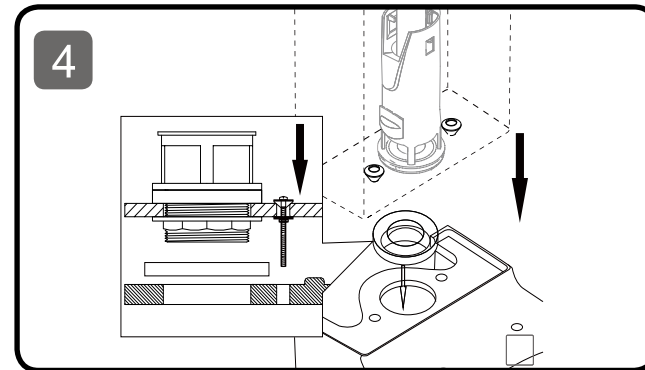
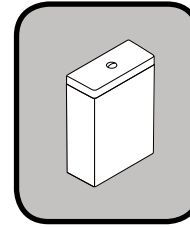
0,01 - 1 MPa
(0,1 - 10 bar / 1,5 - 145 psi)

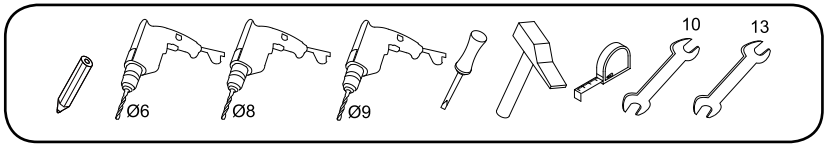


Installation

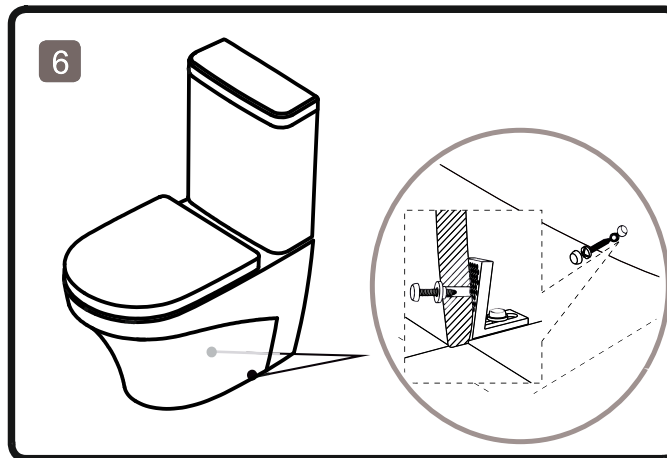
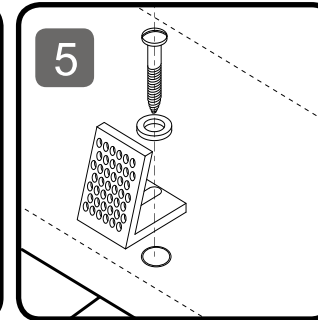
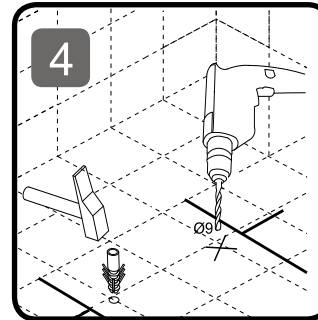
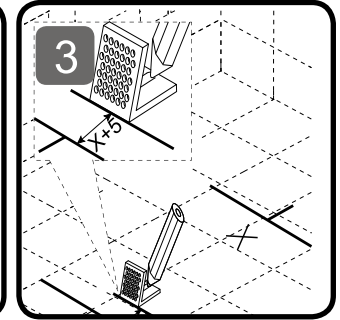
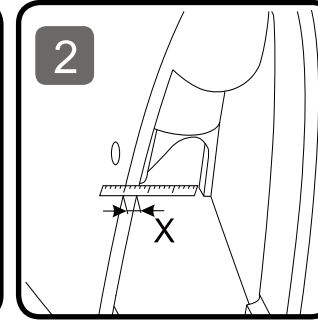
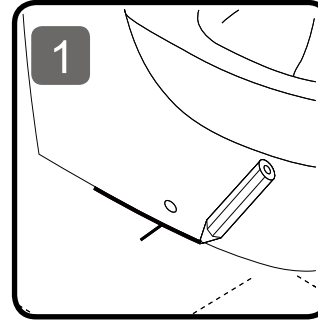
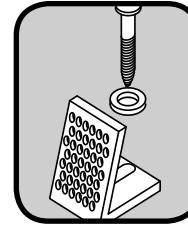
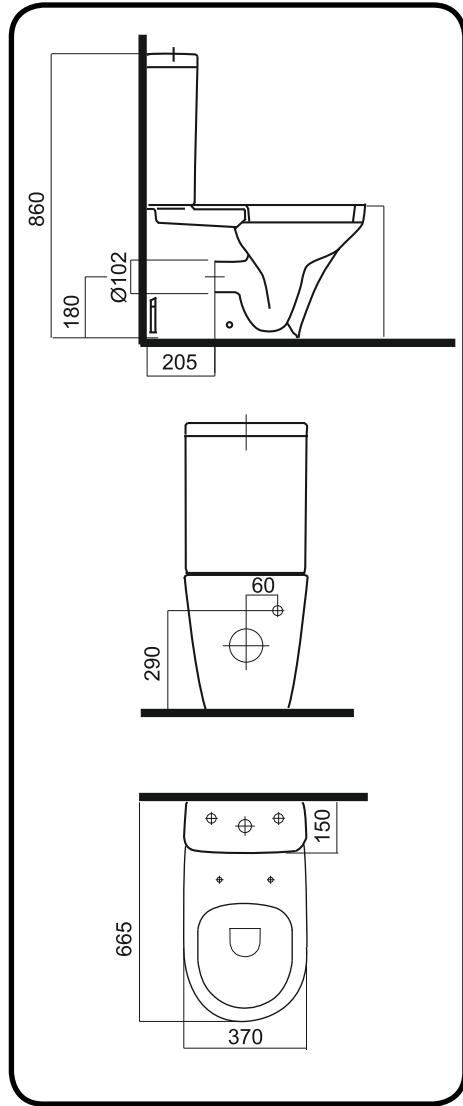
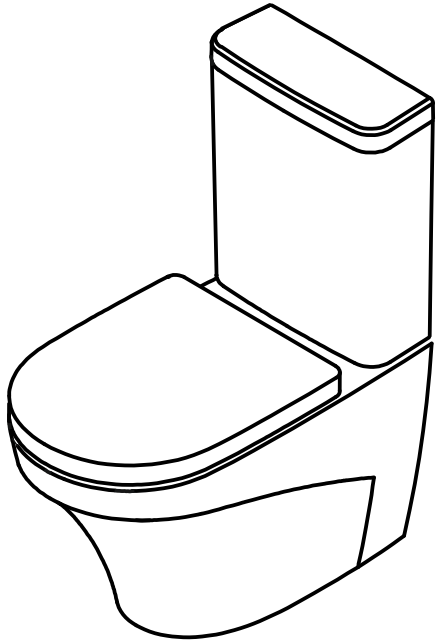


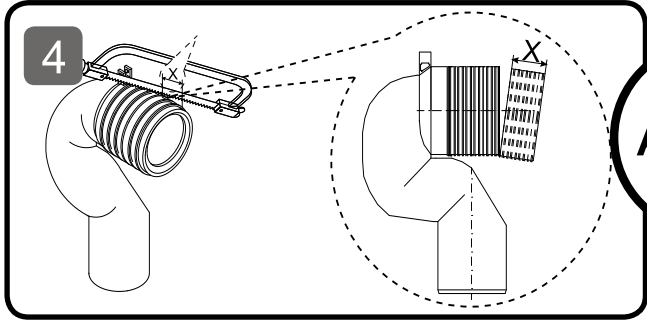
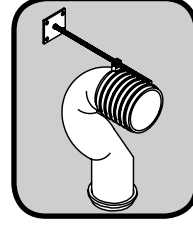
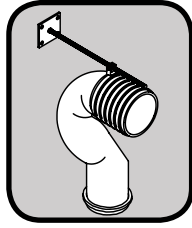
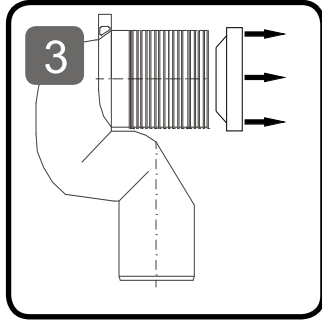
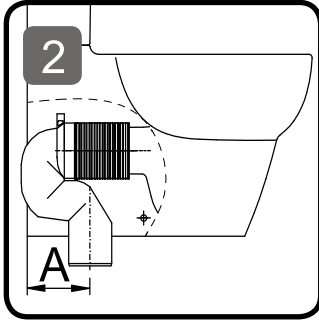
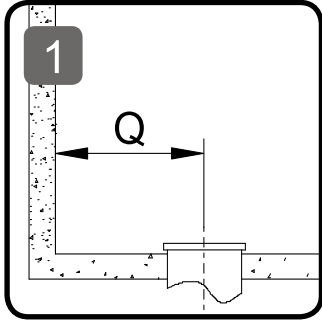
Installation



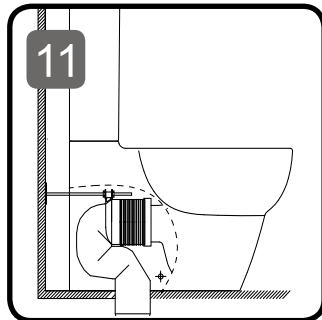
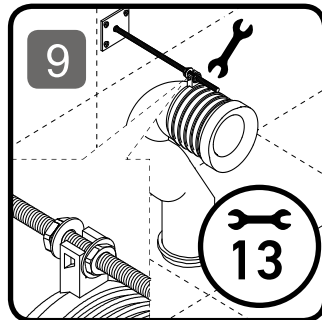
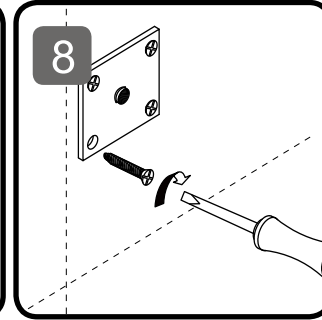
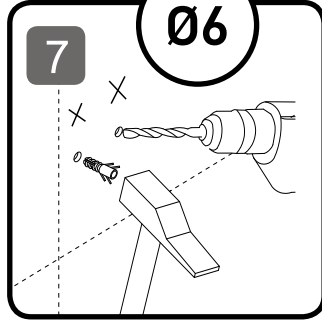
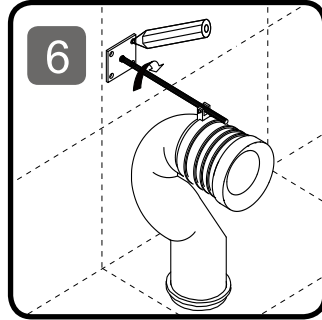
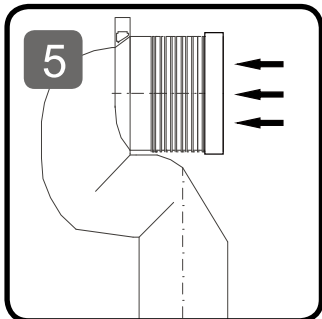


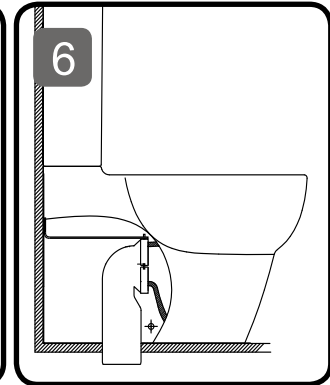
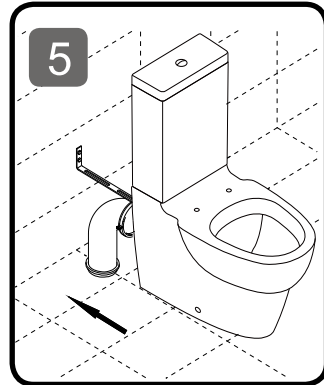
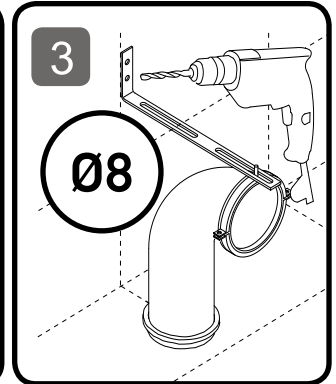
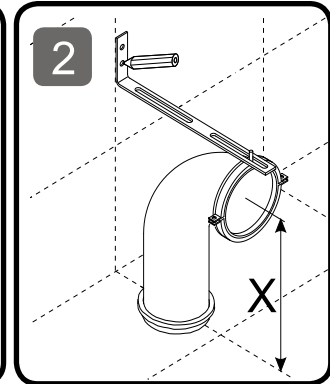
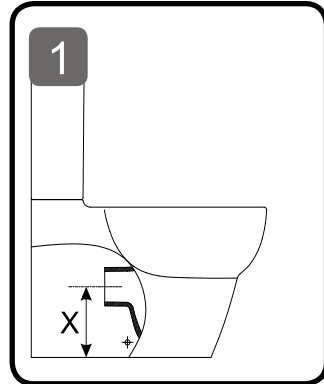
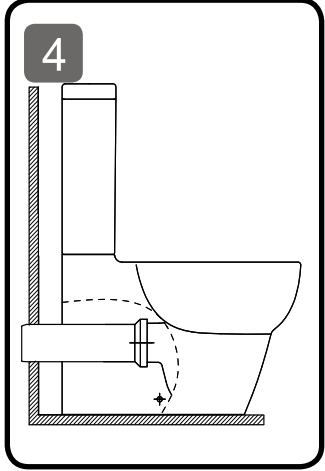
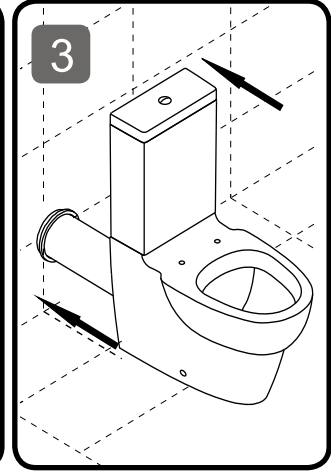
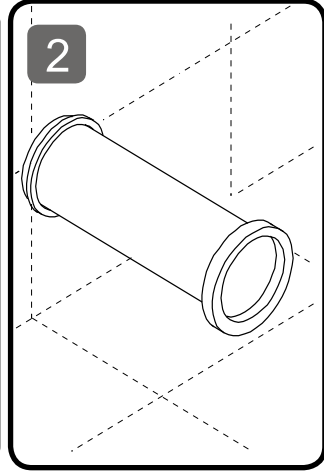
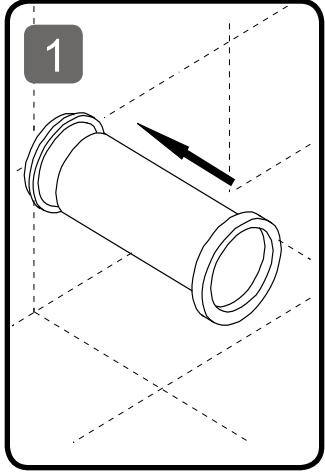
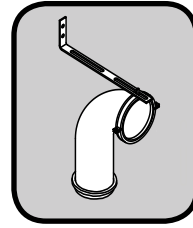
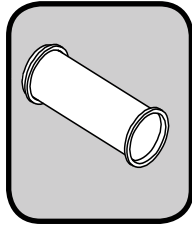
C508607WH



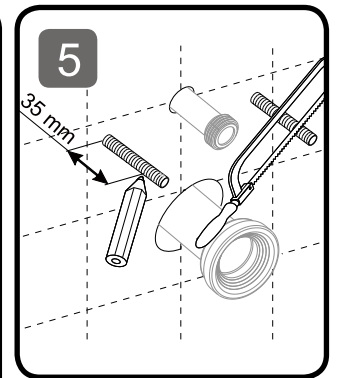
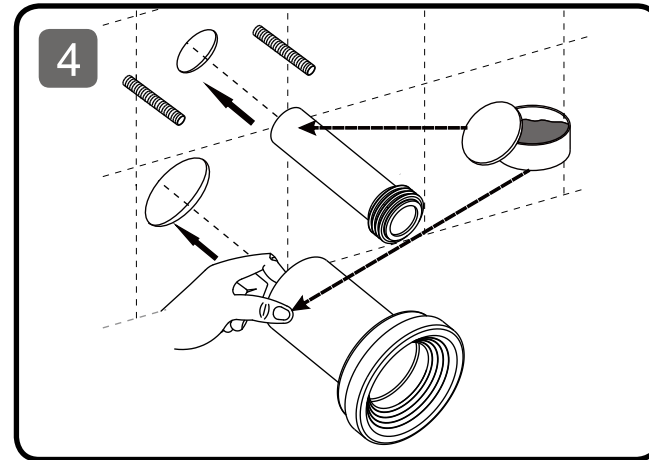
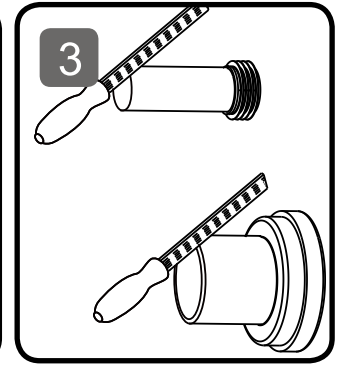
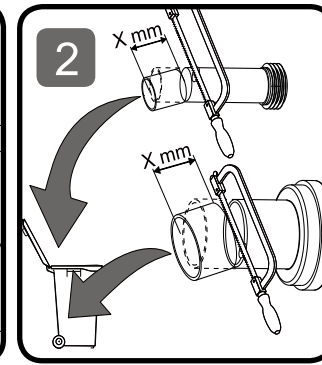
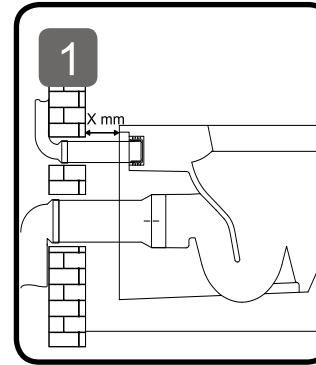
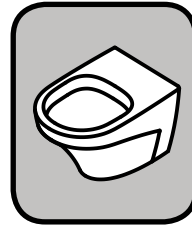
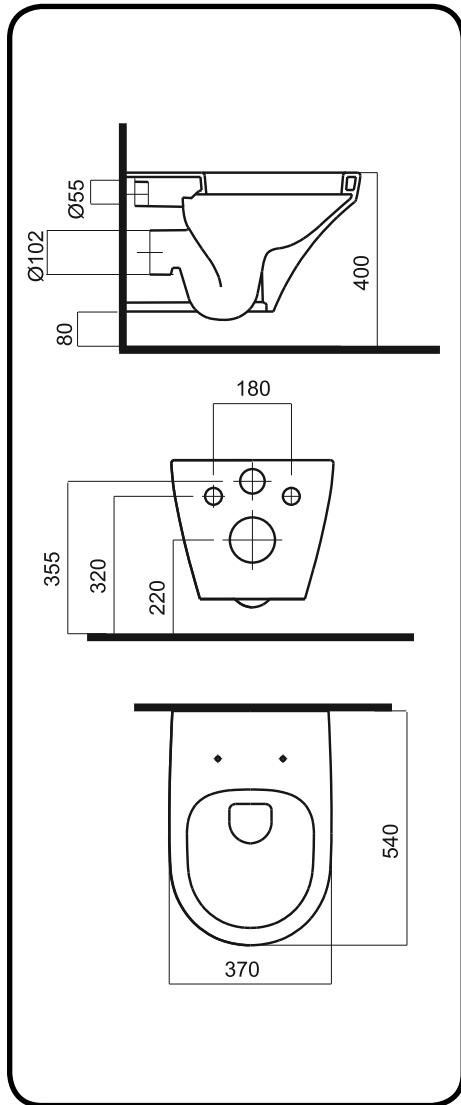
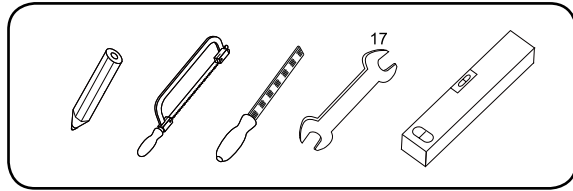
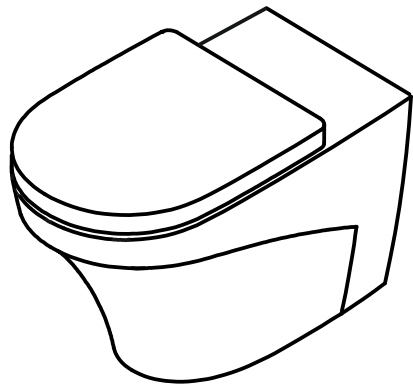


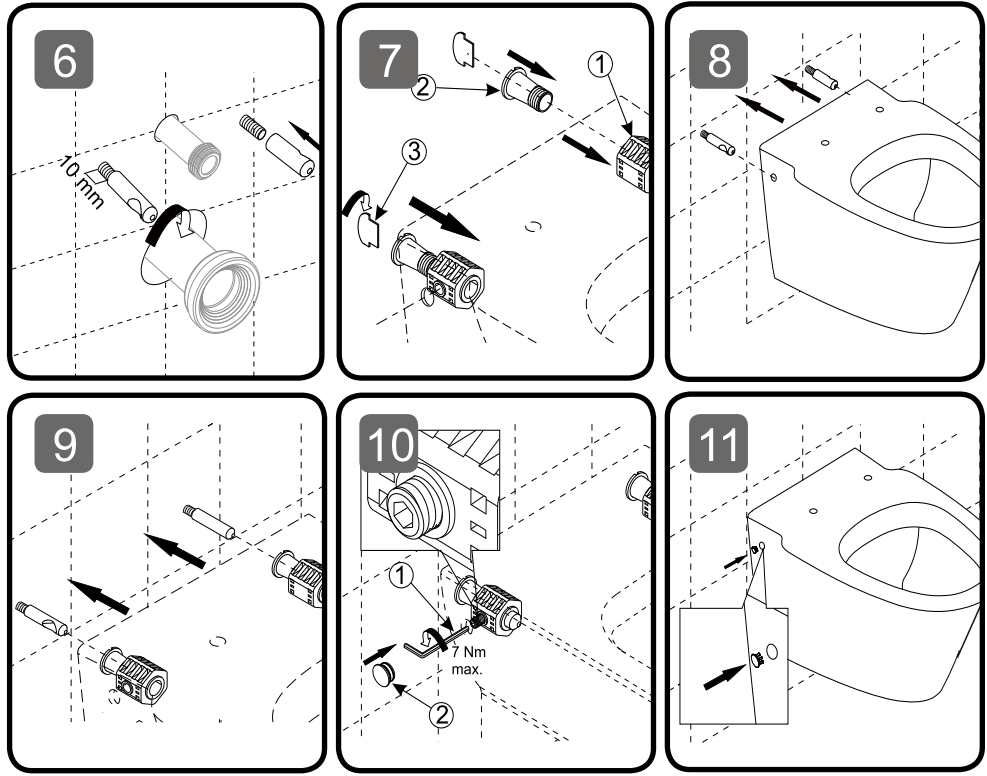
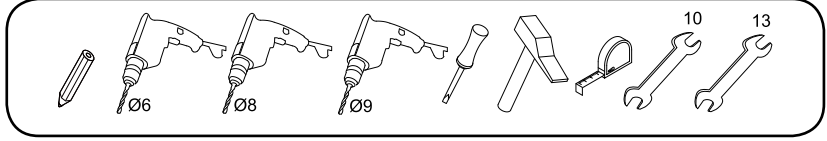
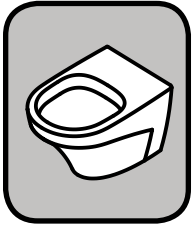
A-Q=X



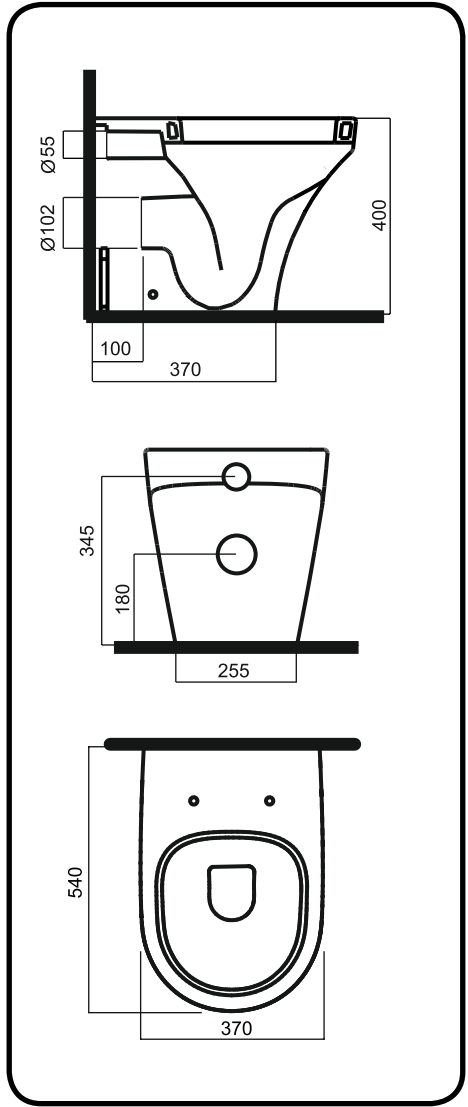
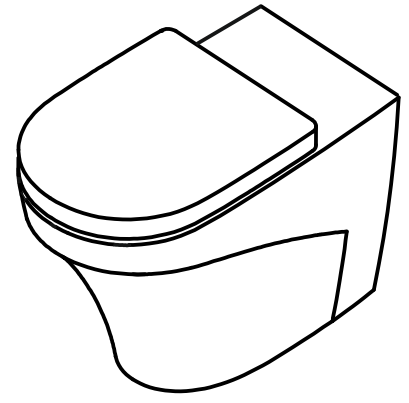


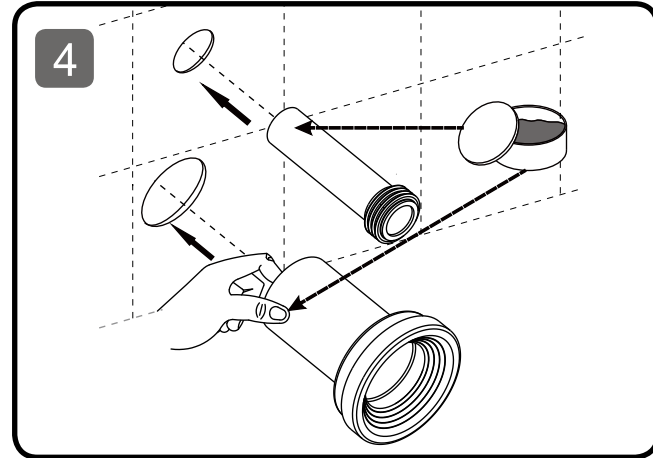
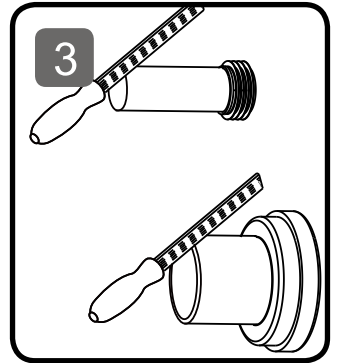
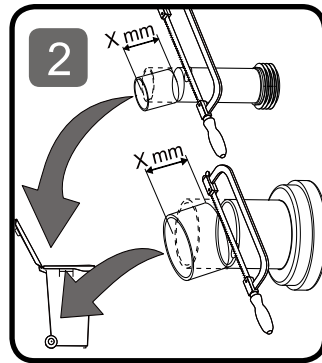
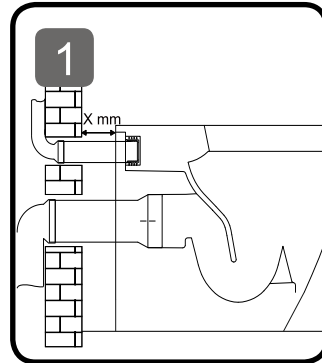
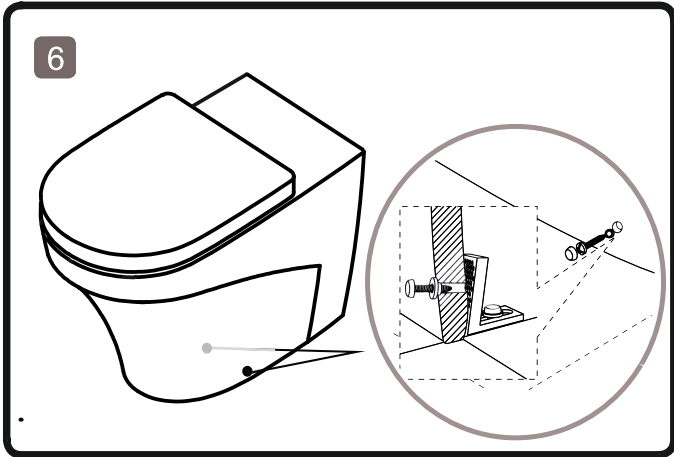
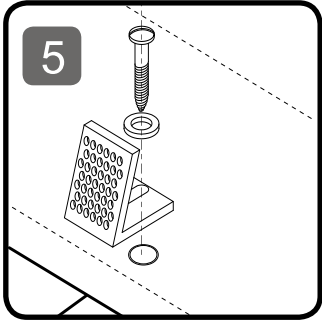
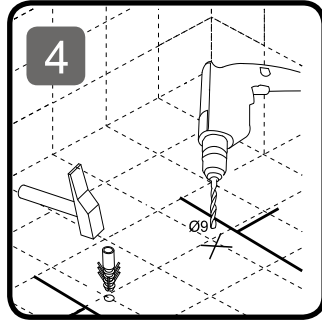
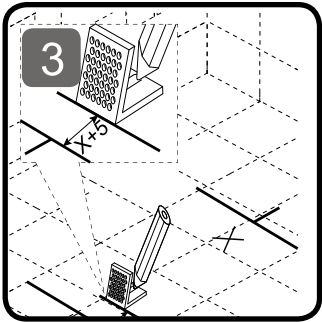
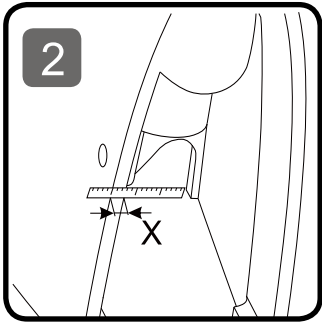
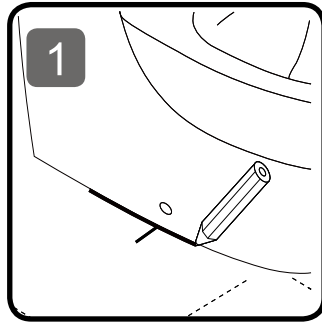
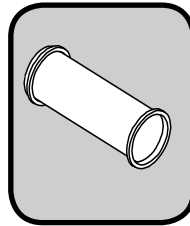
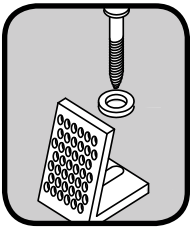
C501738WH

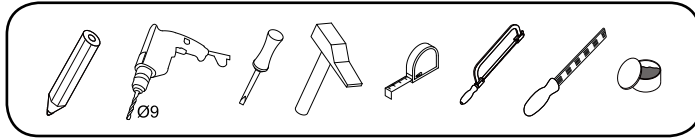




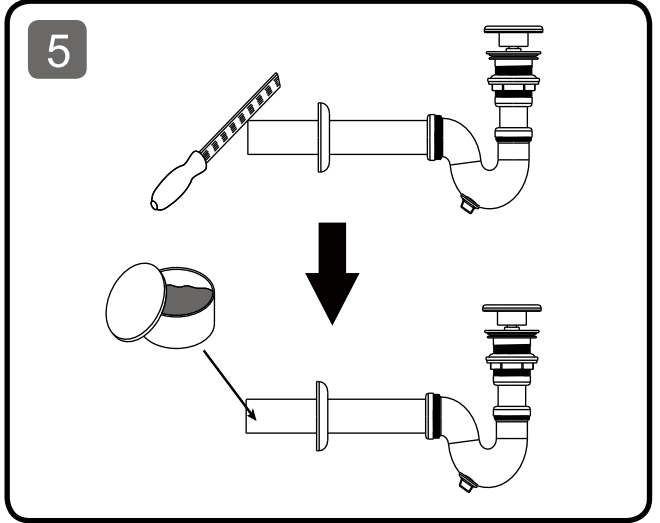
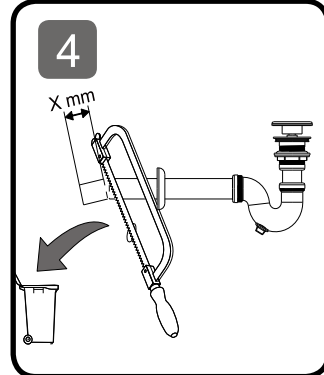
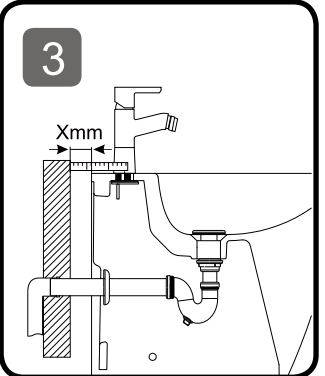
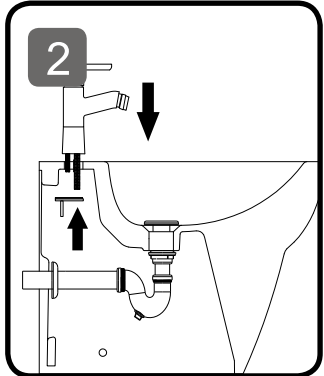
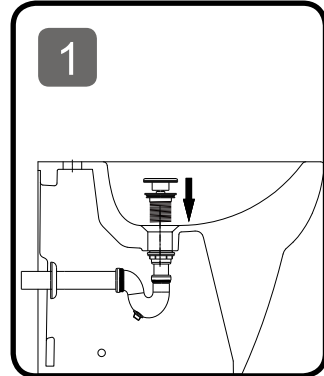
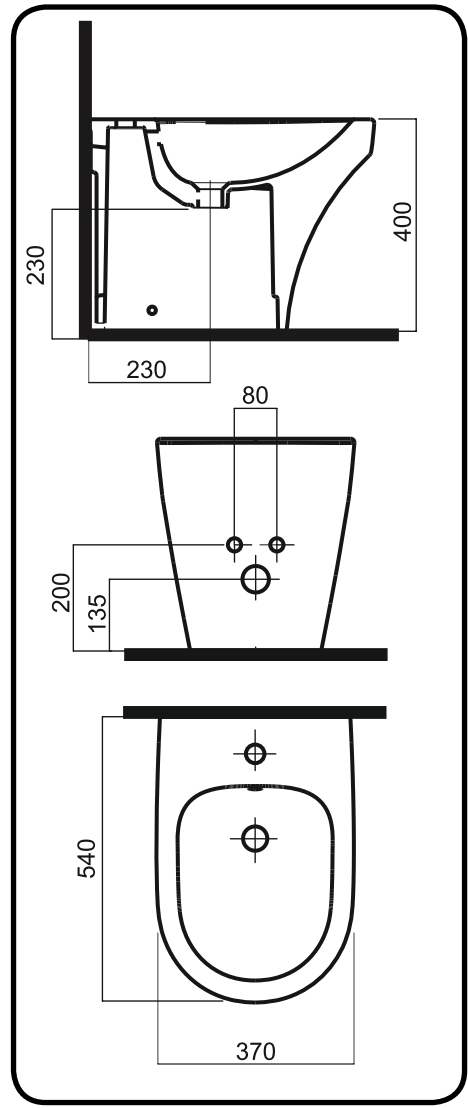
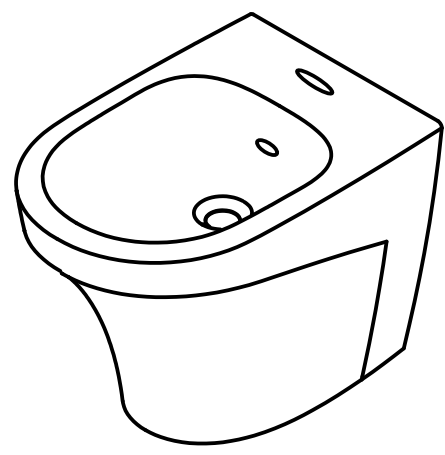
C501438WH

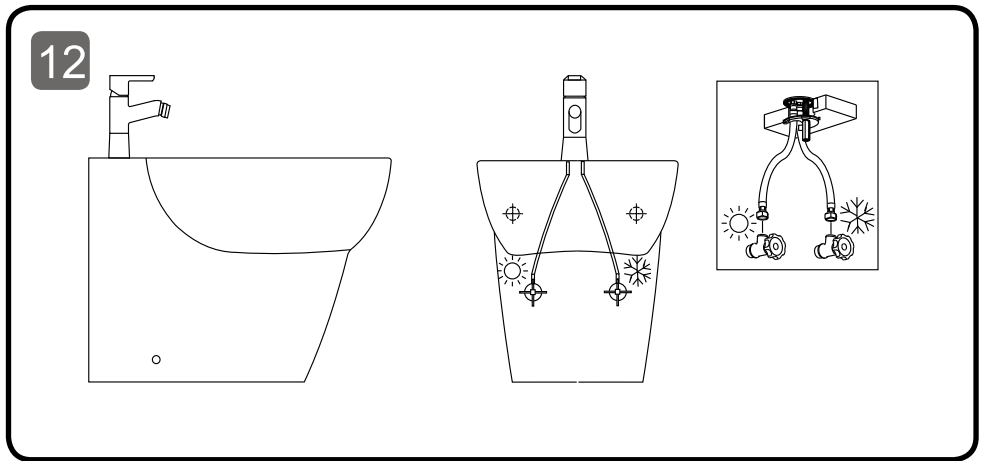
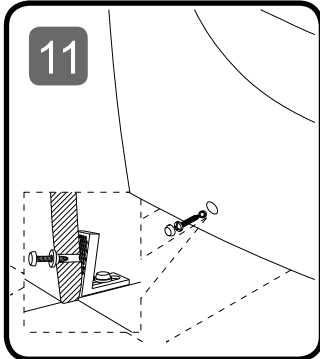
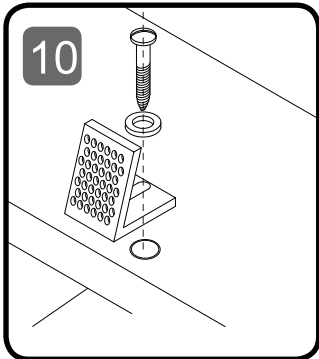
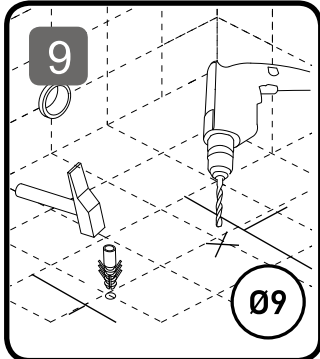
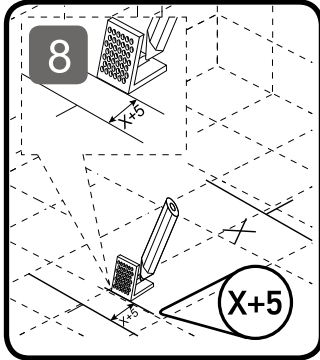
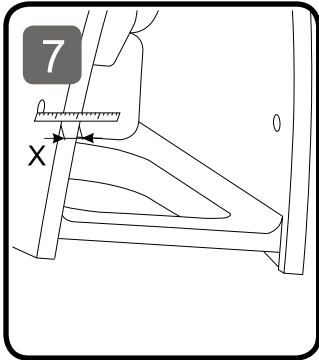
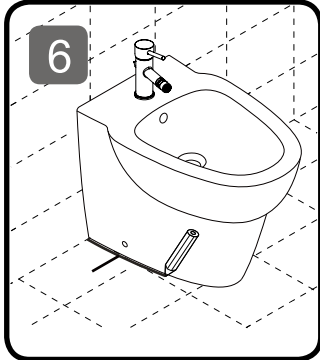
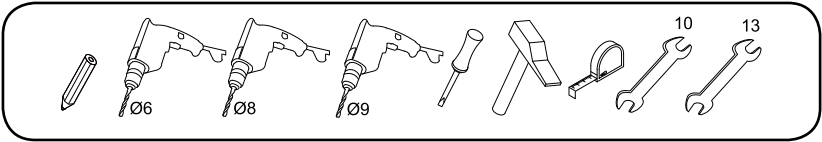
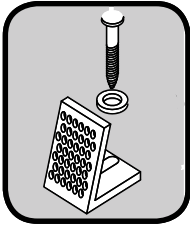




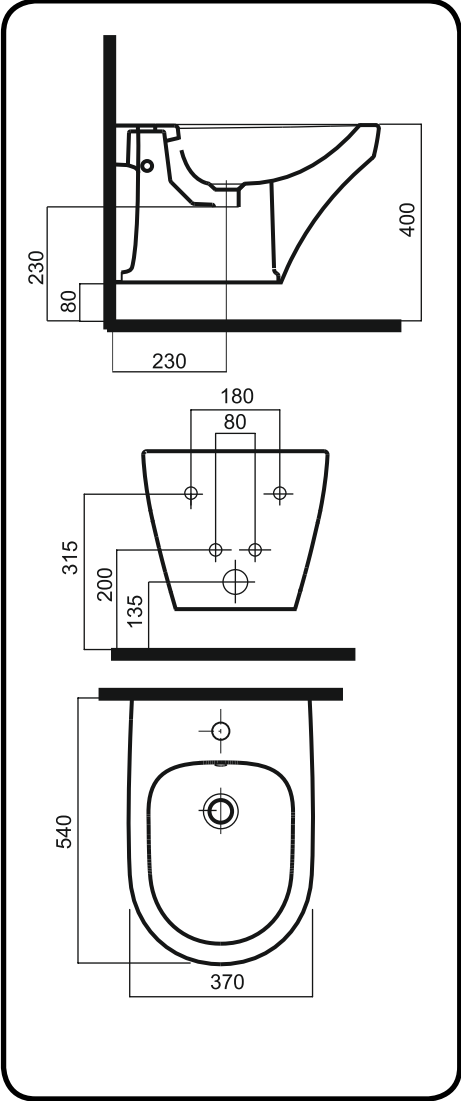
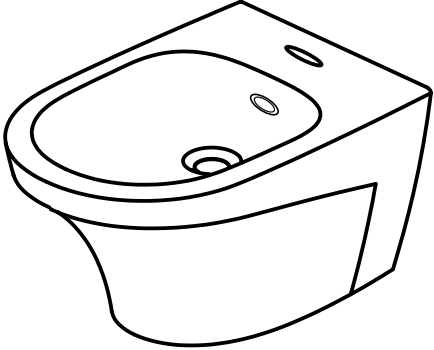


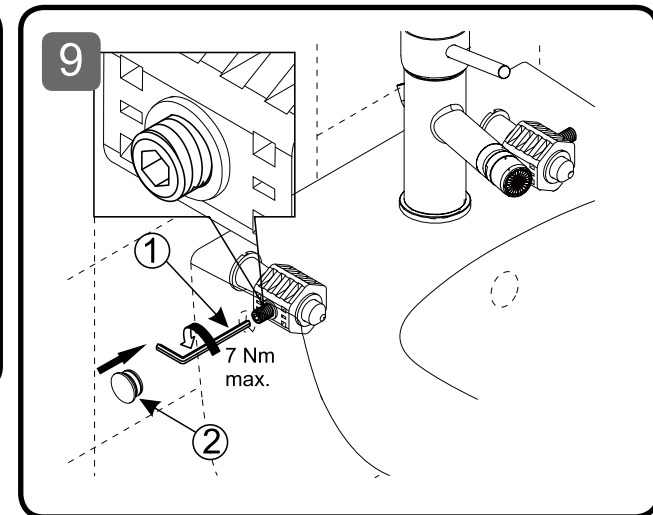
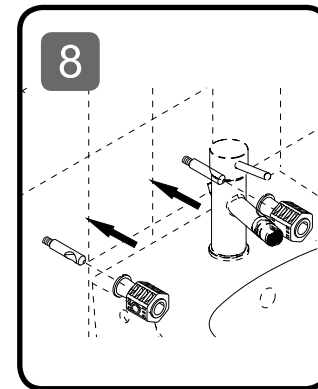
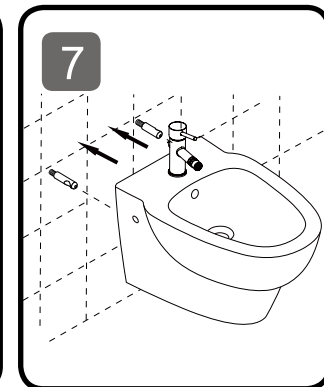
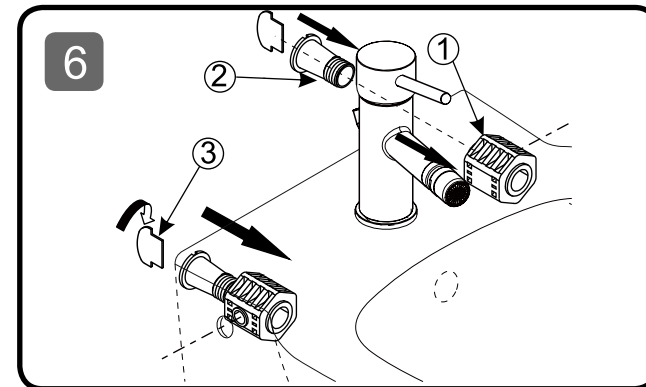
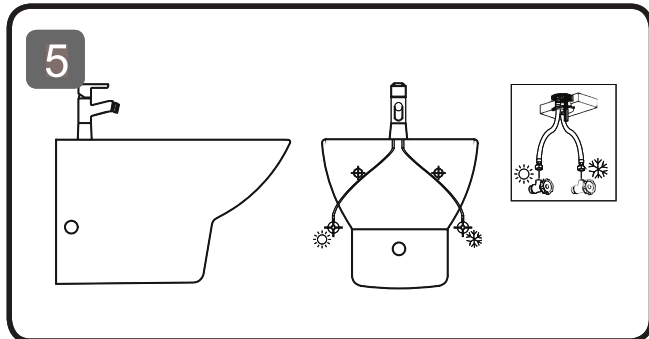
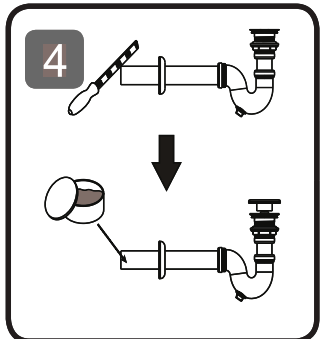
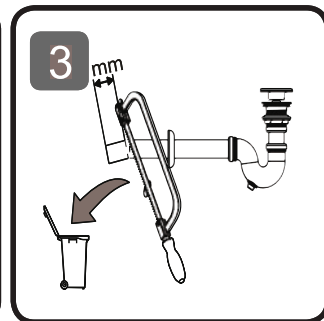
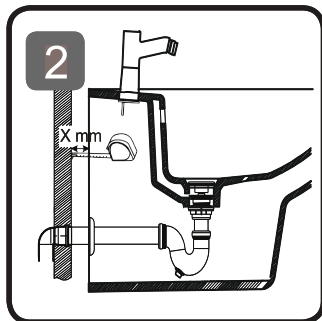
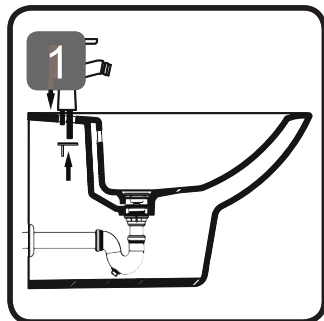
C503111WH

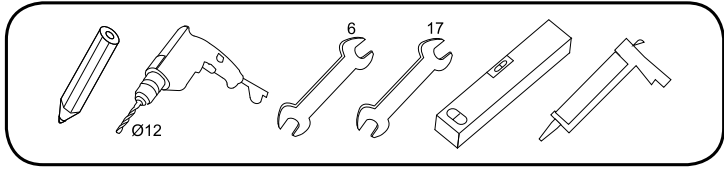




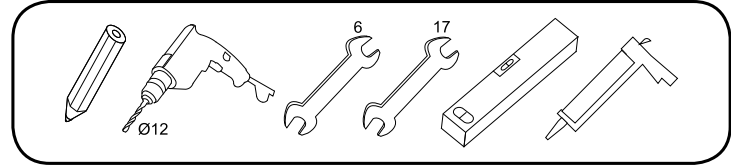
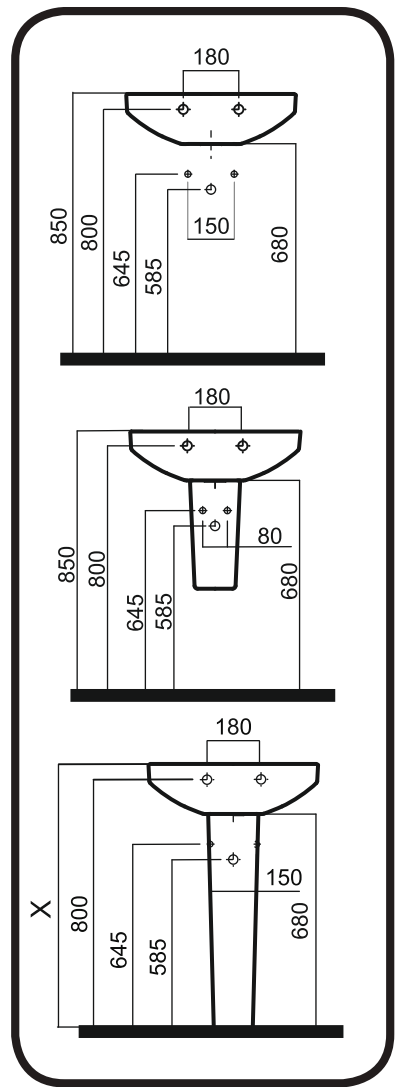
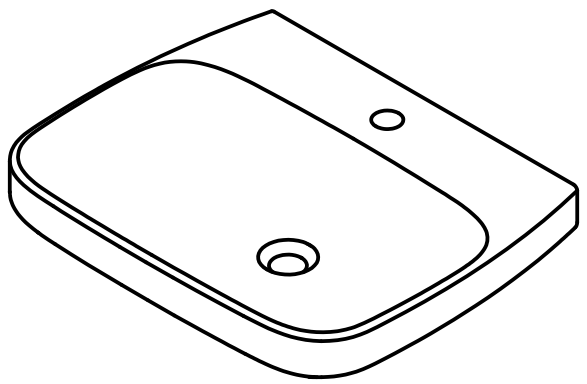
C503411WH



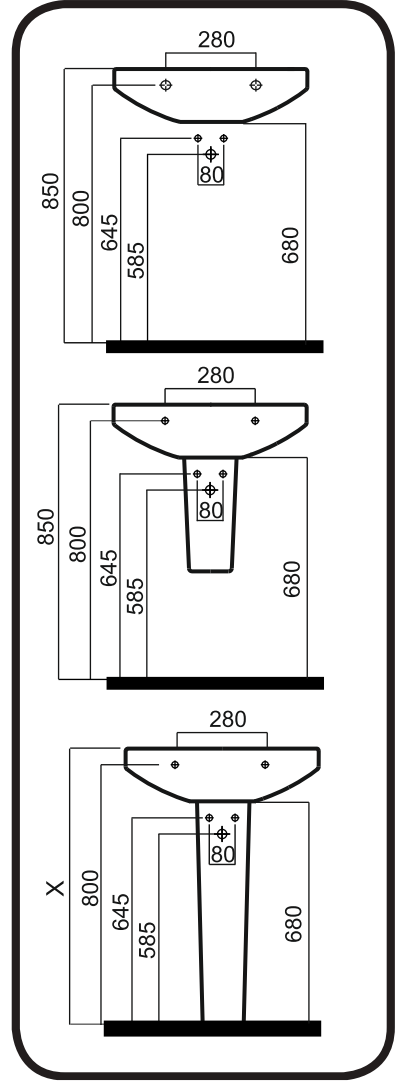
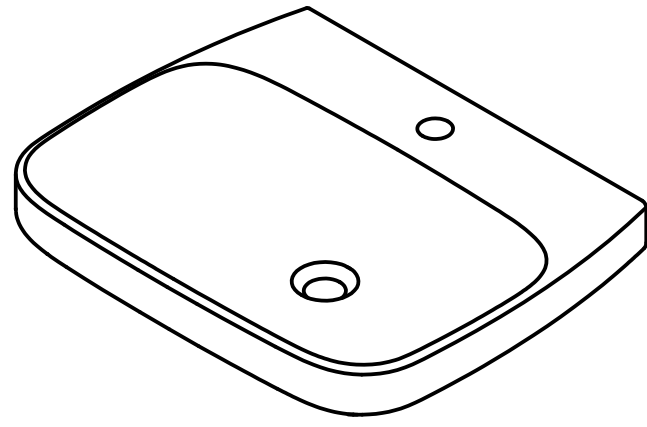


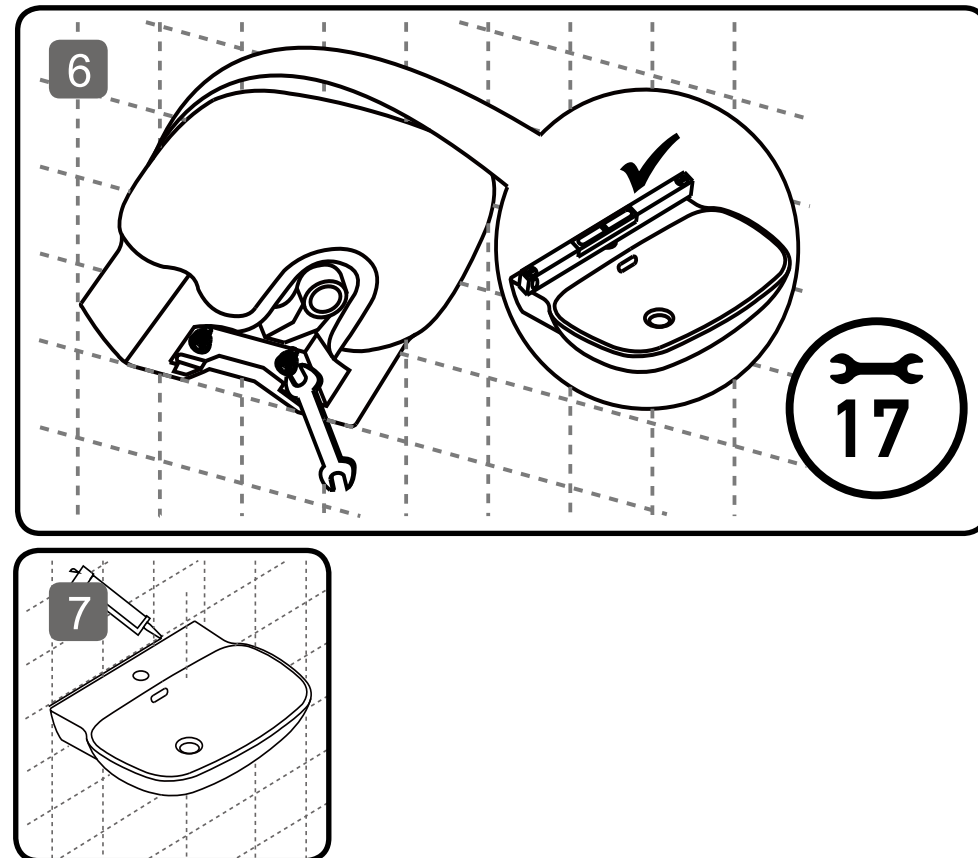
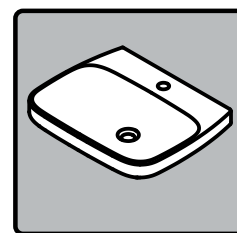
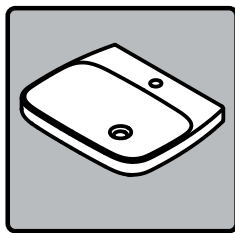
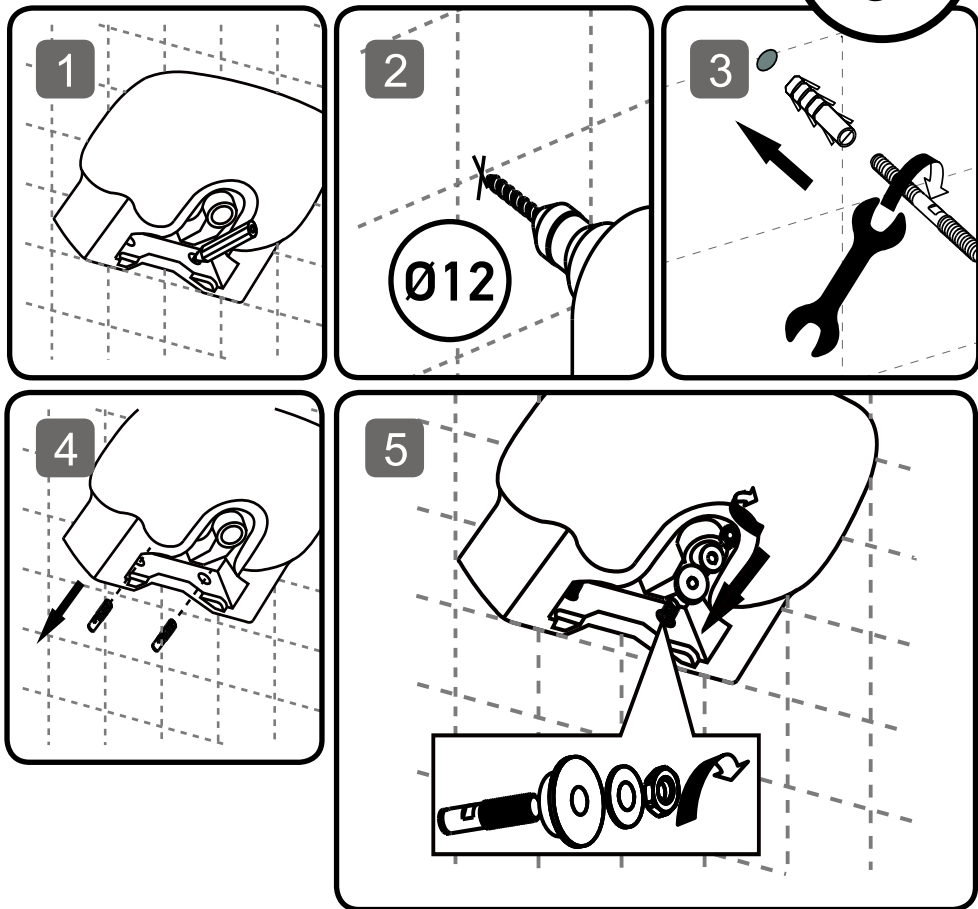


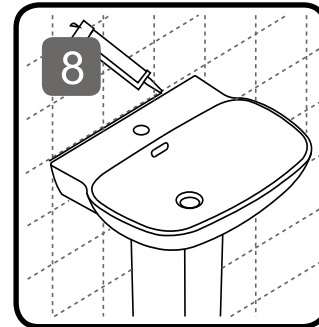
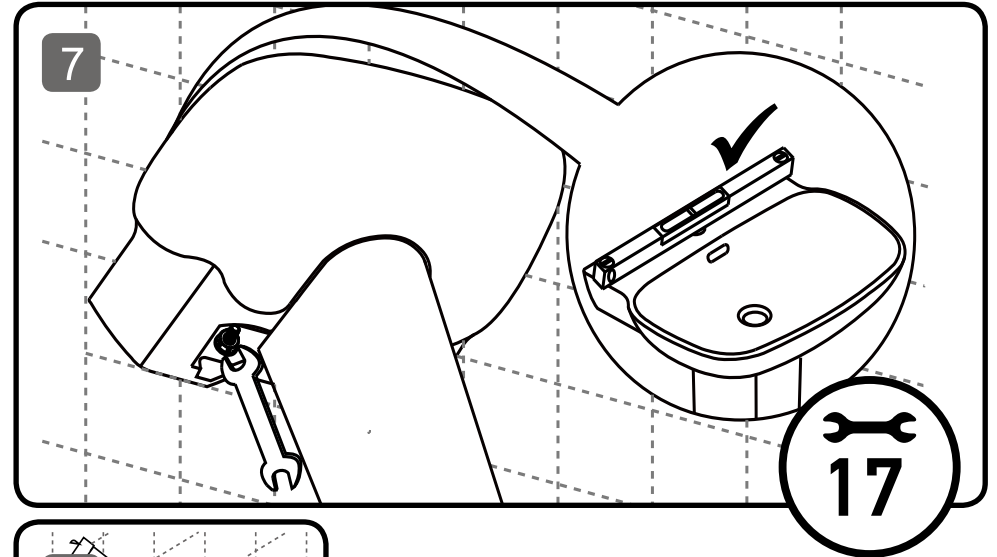
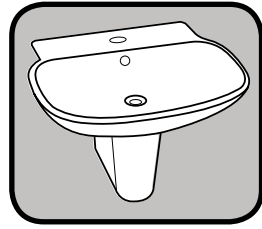
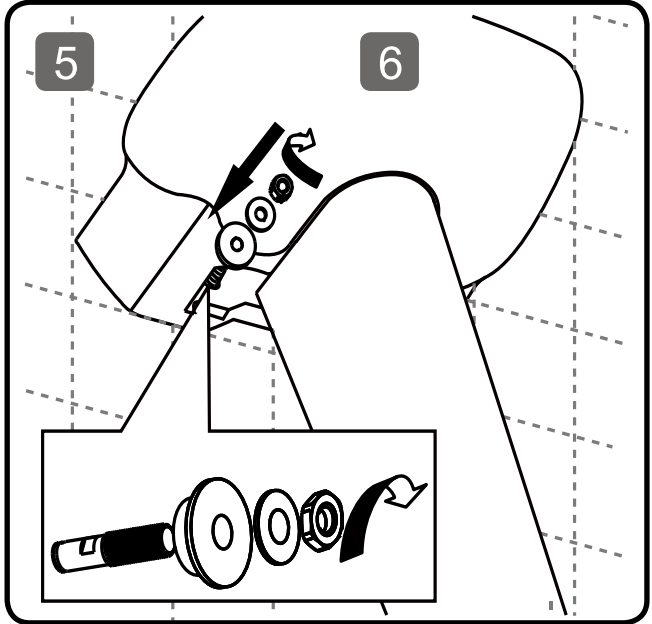
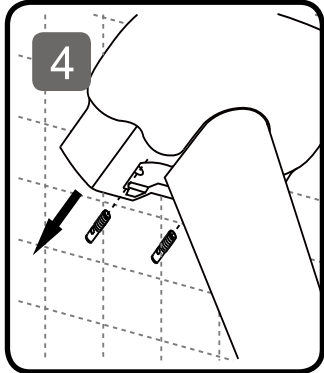
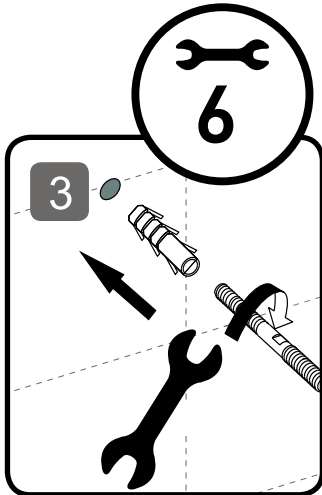
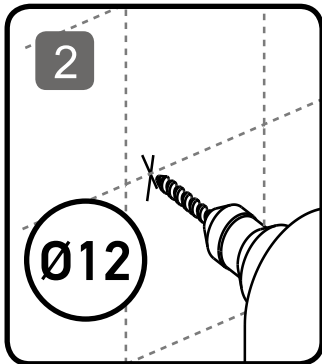
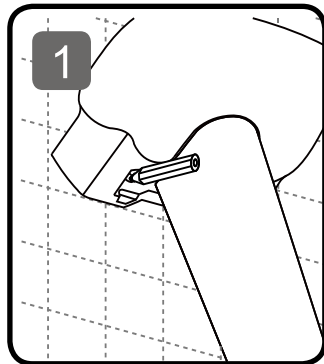
C504221WH

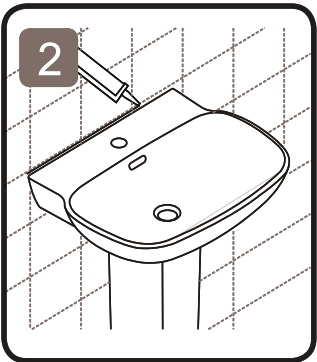
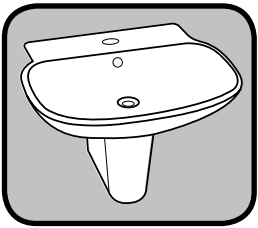
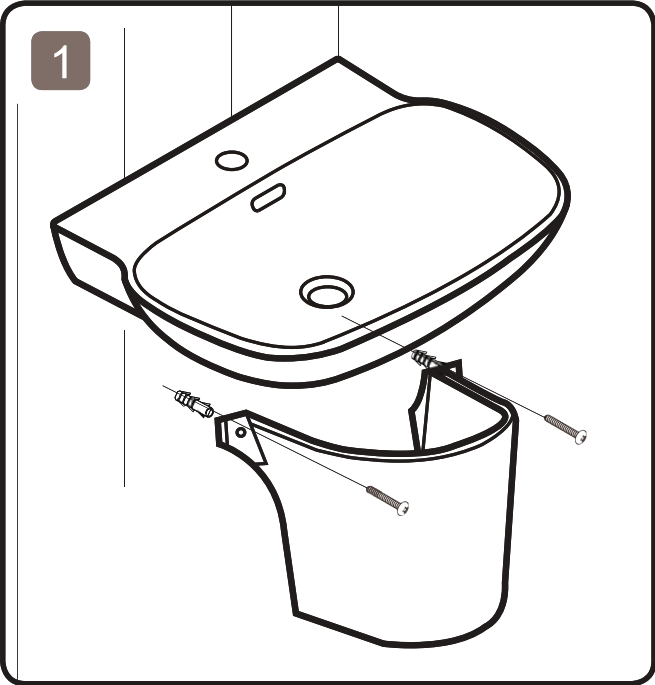


C504321WH









AM · PM

AM.PM AG Torstrasse 177 D-10115 Berlin
WWW.AMPM-WORLD.COM

02/2014